

Valve type 34100 CFEJ

Special design for coke oven, mixed and flue gas.

This design was first developed for steel plants as Arcelor-Mittal in France and Tata Steel in Wales (Port Talbot) where the duration test have been done. For this time these valves have been installed in many other plants as:

- Turkey:
 - Isdemir
 - Erdemir

- India:
 - Jindal

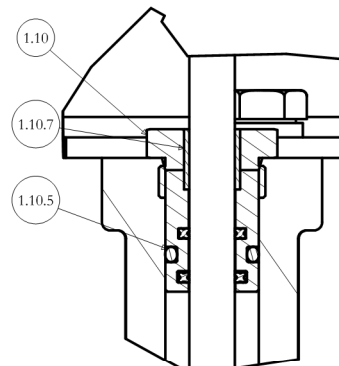
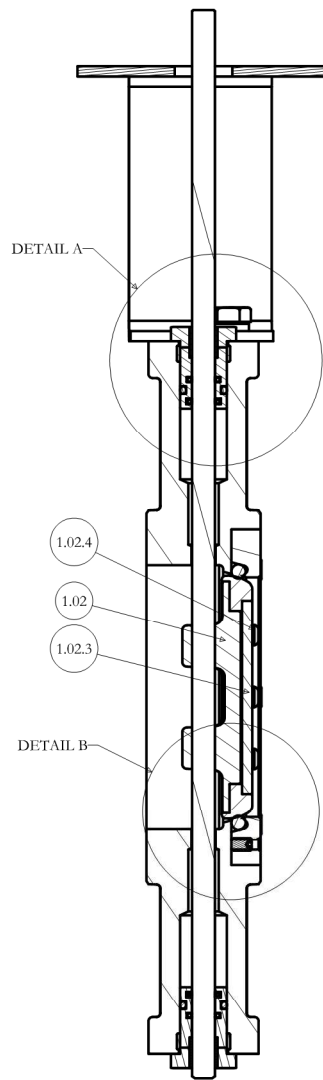
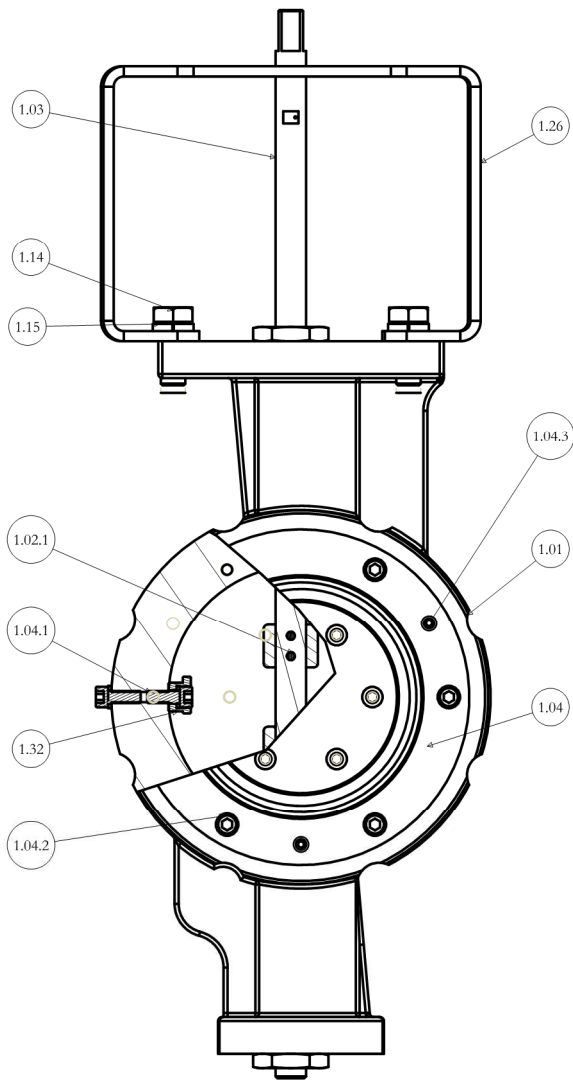
- Russia:
 - Magnitogorsk (MMK)

- Brazil
 - Gerdau Group
 - CST
 - Acesita

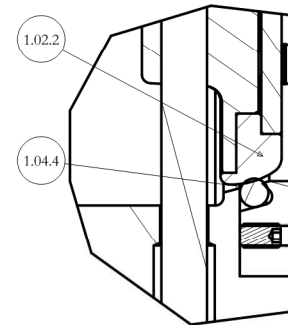
These valves have been tested in our factory and were still class VI tight after 2 billion of cycles.

The design also allows an easy replacement of:

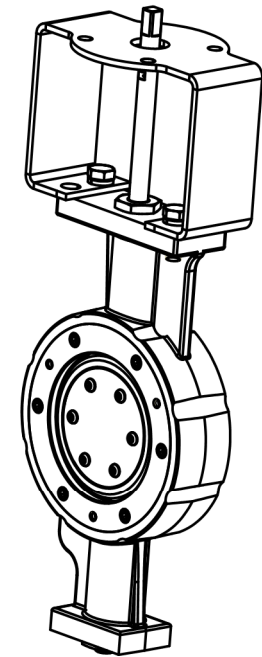
- O'ring seat and PTFE profile for maintenance and reparation
- Shaft tightness provided by screwed barrels with Viton "quadrings"



DETAIL A



DETAIL B



1.32	1	BUTTERFLY STOP	AISI 304	
1.26	1	SPACER	Galvanised steel	
1.15	2	SPRING WASHERS	Class 8.8	
1.14	2	SCREWS TH M12x30	Class 8.8	
1.10.7	2	SELF LUBRICATED BUSHING	PTFE + Brass	*
1.10.5	2	BARREL O'RING	Viton	*
1.10.4	4	QUADRING SHAFT JOINT	Viton	*
1.10	2	BARREL	AISI 304	*
1.04.4	1	O'RING SEAT	Viton	*
1.04.3	3	FLANGE REMOVAL TAPPING	Class 8.8	
1.04.2	8	WASHERS	AISI 304	
1.04.1	8	SCREWS CHC	AISI 304	
1.04	1	O'RING FLANGE	AISI 304 + PTFE Coated	
1.03	1	SHAFT	AISI 304	
1.02.4	6	SCREWS CHC	AISI 304	
1.02.3	1	PROFIL FLANGE	AISI 304 + PTFE Coated	
1.02.2	1	BUTTERFLY PROFILE	PTFE	
1.02.1	3	BUTTERFLY PIN	AISI 304	
1.02	1	BUTTERFLY	Cast Iron	
1.01	1	VALVE BODY	Cast Iron	
Tag	Qty.	Label	Material	Spare

automatic valve
RÉALISATION

Date:
01/17

Drawn:
D.D

VALVE BODY PARTS LIST
VPR/VPS 34100 CFEJ6

Sheet
/

Ce document est la propriété de AUTOMATIC VALVE. Il ne peut être copié ni communiqué à des tiers sans son autorisation.
This document is private and confidential and must not be copied or disclosed to a third party without AUTOMATIC VALVE's consent.

11 Grand'Rue
68470 FELLERING - France

/

DN 65-300

R 00



Figure 1: Valve body with O'ring flange



Figure 2: Valve body with anti-adhesive Graphite/PTFE COATED for easy cleaning with hot water



Figure 3: Butterfly with PTFE profile for low friction



Figure 4: Butterfly split view



Figure 5: Barrel with Viton O'ring and quadring



Figure 6: Body / Butterfly sealing (Viton O'ring / PTFE profile)



Figure 7: Complete butterfly valve with positioner and air pressure reducer